

FUNDING REQUEST FORM

2019-2020

PART 1 - NOTICE & CHECKLIST

IMPORTANT

- All Funding Request Forms must be submitted by 12 PM Friday, the week before the Funding Sub-Committee Meetings.
- Funding request forms must be turned in no less than 10 business days (2 weeks) prior to the event.
- Deadline for Request for Payment or Purchase Order (RPP) is 15 days after the event.

- EVENT FLYER WITH ASI LOGO
 CSI EVENT REGISTRATION FORM
 ESTIMATES/FOOD PERMITS
 EVENT ESTIMATES / INVOICES

PART 2 - CONTACT & ORGANIZATION

OFFICER NAME: [REDACTED]	CLUB/ORG: American Society of Mechanical Engineers
TITLE: [REDACTED]	EVENT TITLE: ASME WORKSHOP
ADDRESS: [REDACTED]	DATE(S) OF EVENT: September 11th SEMESTER: FALL
CITY: [REDACTED] STATE: [REDACTED] ZIP: [REDACTED]	EVENT LOCATION: Zoom
PHONE: [REDACTED]	EXPECTED ATTENDANCE: 25
SIGNATURE: <i>Abel Guillen</i> <small>B35C7223D569422</small>	EXPECTED CAL STATE LA STUDENTS ATTENDANCE: 25

PART 3 - EVENT DESCRIPTION

IS THE EVENT OPEN TO ALL CAL STATE LA STUDENTS? YES NO

BRIEFLY DESCRIBE THE EVENT:

Introducing different parts and necessary software needed to build a robot, such as Arduinos, Solidworks, Motors and more.

HOW WILL THIS PROGRAM ENHANCE THE CAL STATE LA EXPERIENCE?

This will teach many students the basics necessities for building a robot and teach them severla aspects of Mechanical, Electrical, and Software Engineering. And overall teaching exciting STEM activites.

PART 4 - COST BREAKDOWN

HOSPITALITY	DESCRIPTION:	AMOUNT:	HONORARIA / CONTRACTS	DESCRIPTION:	AMOUNT:

MARKETING	DESCRIPTION:	AMOUNT:	OTHER	DESCRIPTION:	AMOUNT:
				Look at Spreadsheet	503.46

PART 5 - EVENT SUMMARY

TOTAL COST OF THE EVENT	503.46
TOTAL REQUESTED FROM ASI	503.46
AMOUNT FROM OTHER SOURCES	0.00

WHAT OTHER RESOURCES ARE YOU EMPLOYING FOR THIS EVENT:

[REDACTED]

OFFICE USE ONLY

STAFF INITIALS [REDACTED]

TIME STAMP: [REDACTED]





Event Registration

ASME WORKSHOP

Submitted By: [REDACTED]

[APPROVED]

Basic Information

Student organizations must complete and submit this form at least 10 business days prior to the event date. Reservations for on campus events will not be confirmed unless this form has been completed.

Please select the type of organization who will be hosting this event.

Student Organization

Host Organization Name

What Organization/Department is hosting the event?

American Society of Mechanical Engineers

Event Name

ASME WORKSHOP

Estimated Attendance

Please describe the estimated attendance of participants for this event. Please note that based on your response, your organization may need to comply with additional campus policies and procedures before this event can be registered. For more information please refer to the Student Organization Handbook sections on Ticketing and Guidelines for Campus Facility Reservation.

25

About the event

Please describe what this event is about and include all intended activities that will take place.

ASME WORKSHOP

American Society of Mechanical Engineers(ASME) will be hosting a workshop about the different parts and necessary software needed to build a robot. We will be going over the following topics:

- **Arduino**
- **SolidWorks**
- **Motors**

The workshop will be via Zoom from 10 am - 2 pm on September 11th, 2020. It is open to anyone interested in building these skill sets. If you have any questions, please feel free to email us at calstatelaasmeig@gmail.com.

Time & Location

Start Date/Time

09/11/2020 - 10:00 AM

End Date/Time

09/11/2020 - 2:00 PM

Events that occur on non-consecutive dates will need to be registered separately per each date, (e.g. if you plan on having a food sale on multiple days in the month).

Where will the event take place?

What online platform will this event use to host the event?

Zoom

Specific Online URL Information

Include the full link where participants can access the virtual event (Zoom link, etc) or a link to where they can find information on how to access the event (Linktree, website, etc.)

<https://calstatela.zoom.us/j/97694287725?pwd=cUISZ2tsZW52cDgwRnZKQUtCeFg5Zz09>

Is a password required to gain access?

Yes

How can participants get access to the password?

By invitation

Do participants need to RSVP?

No

Student Organization Officer and Advisor Contact Information

Only current organization officers can submit the Event Registration Form. Submitted forms will require Advisor approval prior to CSI approval.

Contact Person

Please provide the name of the officer submitting this form.

[REDACTED]

Officer Contact Phone Number

[REDACTED]

Contact Email

Provide the officer's email address.

[REDACTED]

Organization Advisor Phone Number

[REDACTED]

Organization Advisor Name

[REDACTED]

Organization Advisor Email Field

Please ensure your advisor's email address is entered accurately. This Event Registration Form will be sent to your advisor for approval before CSI can approve it.

[REDACTED]

Marketing

No publicity may be distributed or posted online until this form has been submitted and approved. All publicity material must comply with University Administrative Procedures AP P003 and AP P007. For Fall 2020 only electronic or virtual forms of marketing will be approved for student organizations.

How do you plan on marketing this event?

Email

Social Media

Social Media Site

Instagram

Social Media Handle

calstatela_asme

Printed Media Upload*

If you plan on marketing this event with printed media, please upload a copy for review.

[25885a32-7dcf-4432-bff7-be3bd18b444f.jpg](#)

What other methods of marketing will your organization use?

none

Who is invited to this event?

Cal State LA Community

Will off-campus media be notified about this event?

No

Tags

EDUCATIONAL

WORKSHOP/SEMINAR

Cover Image

Please select an image that corresponds to your event.



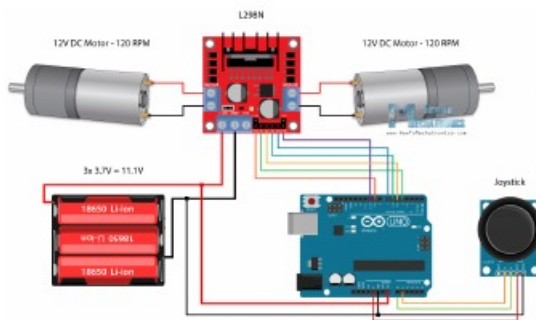
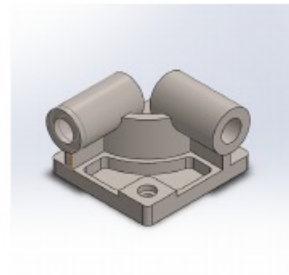
ASME WORKSHOP

Follow us:



Want to learn some new skills that will help in your field of study? ASME team leads will be going over some of the skills needed to working a robot. The mechanical, electrical, and software team will be going over:

- Arduino
- SolidWorks
- Motors



September 11th, 2020

10:00 am - 2:00 pm

via Zoom

Meeting ID: 976 9428 7725

Password: ASME11

Schedule

Arduino: 10 am - 12 pm

SolidWorks: 12 pm - 2 pm

Motors: Prerecorded



Event Details

Event Category

Please select any of the categories above that best describes your event. Note, organization meetings do not need to be registered. For Fall 2020 all of these event categories must be held virtually.

Will the event have an admission charge, registration fee, or raise any proceeds to benefit the organization

No

Will you be requesting funding from Associated Students, Incorporated?

For more information on Club and Organization Funding please visit: <https://asicalstatela.org/services/clubs-and-organizations-funding>

Yes

For more information on Club and Organization Funding please visit: <https://asicalstatela.org/services/clubs-and-organizations-funding>.
For any other questions contact the Vice President for Finance by calling 323-343-4778.

For this event, will your organization be seeking tax deductible private external fund raising support?

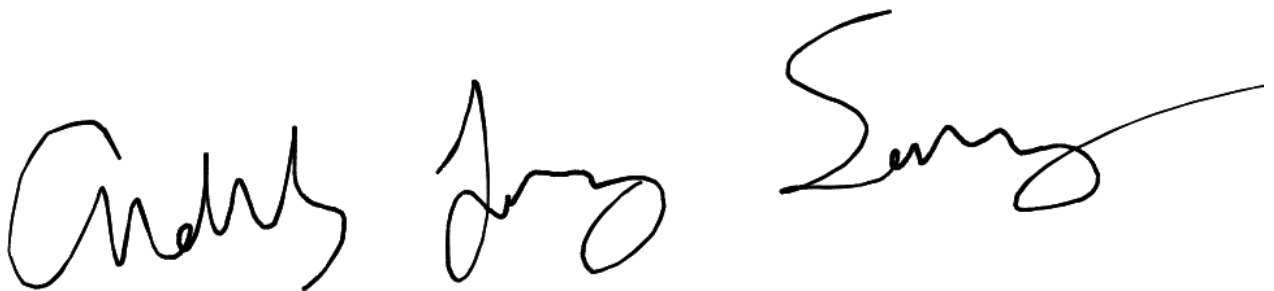
Are you seeking sponsorship from private individuals or external companies/organizations off campus that may require additional tax documentation? (Individual donations that do not require tax documentation do not count.)

No

Acknowledgment

AS AN OFFICER OF THIS ORGANIZATION, I WILL TAKE RESPONSIBILITY TO ENSURE THAT THE EVENT WHICH MY ORGANIZATION IS SPONSORING WILL FOLLOW ALL GUIDELINES SET FORTH BY THE UNIVERSITY. I ACKNOWLEDGE THAT THIS EVENT AND ANY ASSOCIATED EVENT SPACE RESERVATIONS MAY BE SUBJECT TO CANCELLATION BASED ON MY ORGANIZATION'S RECOGNITION STATUS.

Signature Pad Field



Event Guidelines & Resources

Student Organization Event Guidelines

Fall 2020 Event Registration Procedures

The following guidelines are provided for the benefit of the student organization. They are intended to be followed completely. Failure to comply with any of the following guidelines may result in disciplinary action taken against the organization including suspension of

American Society of



Mechanical Engineers

ASME

WORKSHOP

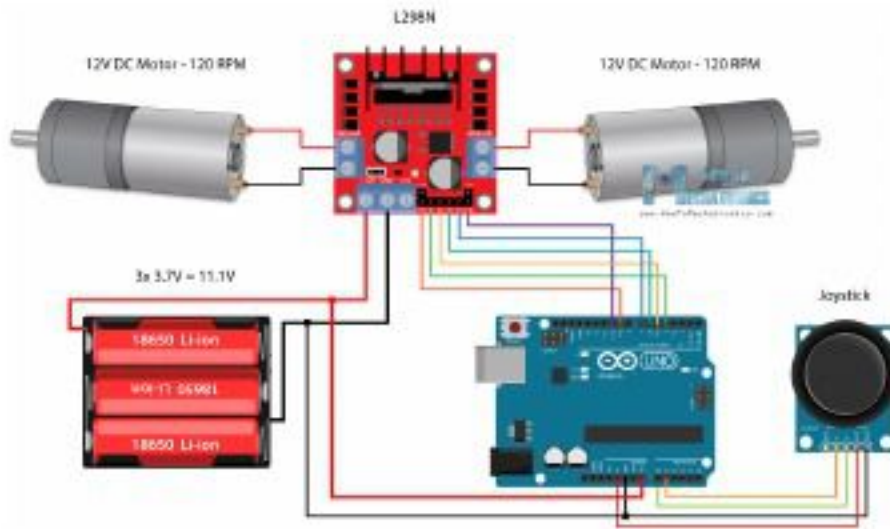
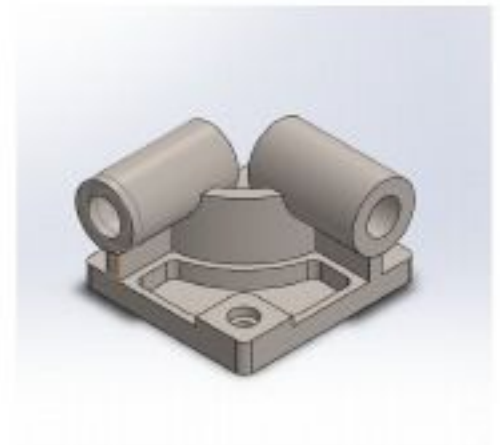
Follow us:

 calstatela_asme

Want to learn some new skills that will help in your field of study? ASME team leads will be going over some of the skills needed to working a robot. The mechanical, electrical, and software team will be going over:

- Arduino
- SolidWorks
- Motors

 **SOLIDWORKS**



September 11th, 2020

10:00 am - 2:00 pm

via Zoom

Meeting ID: 976 9428 7725

Password: ASME11

Schedule

Arduino: 10 am - 12 pm

SolidWorks: 12 pm - 2 pm

Motors: Prerecorded



ASME Workshop September 11th Part List

Part Name:	Quantity:	Retail Price per item:	Shipping Price for the whole Quantity:	Taxes for the whole Quantity:	Total Price:
Terminal Barrier Strips (25 A 8 Positions + 8 Pieces)	2	\$14.49	0	\$2.76	\$31.74
Buck Converters (12V to 5V)	2	\$9.99	0	\$1.90	\$21.88
Buck Converters (24V to 12V)	1	\$9.55	0	\$0.91	\$10.46
Heat Shrink for bigger wires	1	\$10.98	0	\$1.04	\$12.02
Lead Acid Battery	1	\$114.99	0	\$10.92	\$125.91
Lead Acid Battery Charger	1	\$35.99	0	\$3.42	\$39.41
Raspberry Pi 4	1	\$55.00	0	\$5.23	\$60.23
Adafruit LIS3MDL Magnetometer	1	\$5.95	\$11.88	\$0.57	\$18.40
Adafruit LSM6DSOX + LIS3MDL IMU	1	\$14.95	\$11.88	\$1.42	\$28.25
10 SERIES 1/4-20 ECONOMY T-NUT & 1/2" LG SCREW	100	\$0.19	\$5.95	\$1.90	\$26.85
(CB-010-D) 10 SERIES 4 HOLE INSIDE CORNER BRACKET	12	\$1.95	\$5.95	\$2.34	\$31.69
(JP-010-T) 10 SERIES 5 HOLE "T" JOINING PLATE	10	\$3.50	\$5.95	\$3.50	\$44.45
Silver Corner Bracket, 1" Long for 1" High Rail T-Slotted Framing	6	\$1.65	\$5.95	\$0.99	\$16.84
(JP-010-C) 10 SERIES 3 HOLE JOINING PLATE	6	\$2.15	\$5.95	\$1.29	\$20.14
(JP-010-A) 10 SERIES ALUMINUM 2 HOLE JOINING PLATE	6	\$1.40	\$5.95	\$0.84	\$15.19
Total Amount for Everything					\$503.46

PillPack Your medication, delivered. Learn more >

Industrial & Scientific > Industrial Electrical > Wiring & Connecting > Terminal Blocks > Ground Circuit Terminal Blocks

Double Jumper Strips - 2x4 pcs
8 Positions
600V 25A



12 pcs (4 Sets) Terminal Block - 4 pcs 8 Position 600V 25A Dual Row Screw Terminal Strip with Cover + 8 pcs 400V 25A 8 Positions Pre-Insulated Terminal Barrier Jumper Strips Black & Red MILAPEAK

Visit the MILAPEAK Store
★★★★★ 883 ratings
#1 Best Seller in Ground Circuit Terminal Blocks

Price: \$14.49 ✓prime & FREE Returns

Size: 25A 8P+8pcs Jumpers

15A 5P+5pcs Jumpers	15A 8P+6pcs Jumpers	15A 12P+5pcs Jumpers
15A 12P+10pcs Jumpers	25A 4P+6pcs Jumpers	25A 5P+5pcs Jumpers
25A 6P+Fork Connectors	25A 6P+5pcs Jumpers	25A 6P+10pcs Jumpers
25A 8P+Fork Connectors	25A 8P+4pcs Jumpers	25A 8P+8pcs Jumpers

- ★ **【Clean Installation】** - How to clean up your cluttered battery terminals? Our terminal strips greatly simplified and neaten up your install. The pressure washer style terminal accepts a bare wire and the jumpers allow signals or power to be distributed neatly. This way you can easily disconnect a wiring branch without taking down the entire system.
- ★ **【Heavy Duty】** - Our terminal/barrier blocks are well made sturdy and with quality and robust screws. You can crank down on these for a firm bite. These allowed you to connect each power wire very cleanly to each source (ground, battery, and ignition on). Great for compact wiring jobs.
- ★ **【Protect Cover】** - Our dual row screw terminal strips that also include a clear cover to protect accidental touching of the terminal. It will be more safer when the terminals are protected by snap-in plastic "lids". Be careful when mounting these

Enjoy what is already yours, with Prime Music

Listen Now

amazon prime

Qty: 1

Add to Cart

Buy Now

Secure transaction

Sold by MILAPEAK and Fulfilled by Amazon.

Add gift options

Deliver to Abel - Los Angeles 90001

Add to List

Share [Email] [Facebook] [Twitter] [Pinterest]

Have one to sell? Sell on Amazon

BESTEK

BESTEK Universal Travel Adapter 220V to 110V Voltage...

★★★★★ 3,881
\$36.99 ✓prime

with Prime Music
Listen Now

Listen Now amazon prime

Buck Converter 12v to 5v, DROK 5A Voltage Regulator DC 9V-36V Step Down DC 5V-5.3V 5.2V 3.5-6A Volt Transformer Power Supply Module for Phone Fast Charging

Visit the DROK Store
★★★★★ 88 ratings | 26 answered questions
Amazon's Choice for "buck converter 12v to 5v"

Price: **\$9.99** ✓prime & FREE Returns

Get \$100 off instantly: Pay \$0.00 \$9.99 upon approval for the Amazon Prime Rewards Visa Card. No annual fee.

- DROK buck converter input voltage is DC 9v-36v, output voltage is 5.2V (5V-5.3V available according to your input voltage).
- The step down regulator adopts synchronous rectification scheme to provide wide voltage range, large current and high efficiency.
- Our buck voltage regulator is user-friendly, accompany with DC interface and connecting terminals, make it easier to be connected to different devices.
- The voltage reducer is with USB interface and quick charge identifying chip, and is compatible with Android and Apple.
- Note: Input different voltage will output different power: input DC 9-24V, output 5.2V/6A/30W; input DC 24-32V, output 5.2V/5A/25W; input DC 32-36V, output 5.2V/3.5A/18W.

[Compare with similar items](#)

[Report incorrect product information.](#)

Consider this Amazon's Choice product that delivers quickly

Amazon's Choice

eBoot Mini MP1584EN DC-DC Buck Converter Adjustable Power Supply Module 24V to 12V 9V 5V 3V (6 Pack)
\$9.55 ✓prime

Qty: 1 ▾

Add to Cart

Buy Now

Secure transaction

Sold by **DROK** and Fulfilled by **Amazon**.

Add gift options

Deliver to Abel - Los Angeles 90001

Add to List ▾

Share

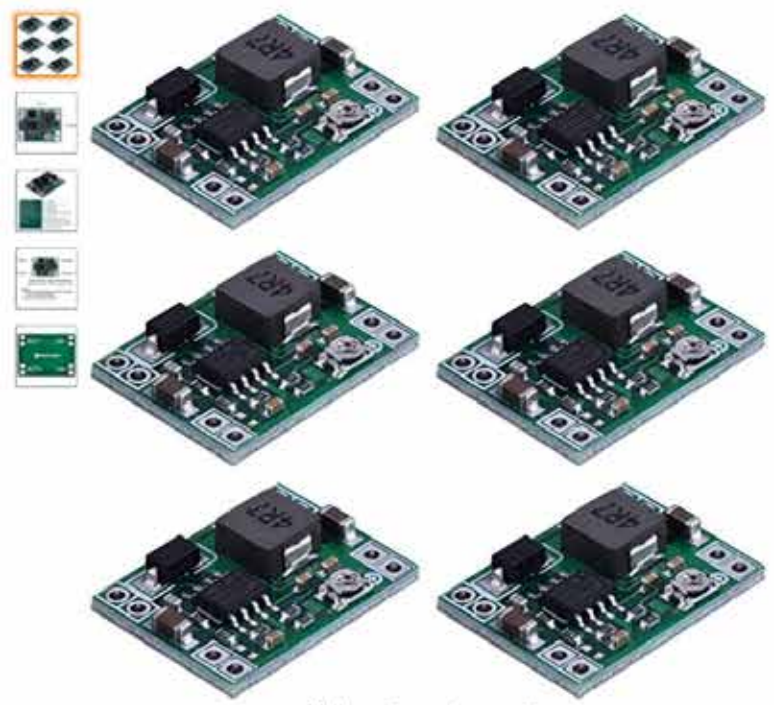
Have one to sell?
Sell on Amazon



Roll over image to zoom in



Electronics > Accessories & Supplies > Batteries, Chargers & Accessories > Power Converters



Roll over image to zoom in

eBoot Mini MP1584EN DC-DC Buck Converter Adjustable Power Supply Module 24V to 12V 9V 5V 3V (6 Pack)

Visit the EBOOT Store
★★★★☆ 279 ratings

Amazon's Choice for "buck converter 24v to 12v"

Price: \$9.55 ✓prime & FREE Returns

Get \$100 off instantly: Pay \$0.00 \$9.55 upon approval for the Amazon Prime Rewards Visa Card. No annual fee.

Number of Items: 6

12	6
\$13.55	\$9.55
✓prime	✓prime

- Mini MP1584EN DC to DC buck converter module with a wide operating range
- Input voltage: 4.5 V to 28 V; Output voltage: 0.8 V to 20 V
- Output current: 3 A (maximum); Conversion efficiency: 92% (maximum)
- Output ripple: less than 30 mV; Switching frequency: 1.5 MHz (highest), typically 1 MHz
- Operating temperature: -45 °C to 85 °C; Size: 22 mm by 17 mm by 4 mm; Warning: do not reverse the positive and negative terminals to avoid any possible damage; Do not use light load (less than 10% of output power) or without load

[Compare with similar items](#)

[Report incorrect product information.](#)

Consider this Amazon's Choice product that delivers quickly

Amazon's Choice

Valefod 6 Pack LM2596 DC to DC High Efficiency Voltage Regulator 3.0-40V to 1.5-35V Buck Converter DIY Power Supply Step Down Module

Enjoy what is already yours, with Prime Music

Listen Now

amazon prime

Qty: 1

Add to Cart

Buy Now

Secure transaction

Sold by PATELAI and Fulfilled by Amazon.

Add gift options

Deliver to Abel - Los Angeles 90001

Add to List

Add to Wedding Registry

Share [Facebook] [Twitter] [Pinterest]

Announcement: More icons added The Celebrity Store Explore now

Enjoy what is already yours, with Prime Music. Listen Now. Amazon Prime logo.

Industrial & Scientific > Industrial-Electrical > Wiring & Connecting > Heat-Shrink Tubing



270pcs

Glue Inside



Roll over image to zoom in

Visit the MILAPEAK Store

270pcs 3:1 Dual Wall Adhesive Heat Shrink Tubing Kit, 5 Sizes (Diameter): 3/8, 1/4, 3/16, 1/8, 3/32 inch, Marine Wire Cable Sleeve Tube Assortment with Storage Case for DIY by MILAPEAK (Black)

4.5 stars 2,495 ratings | 23 answered questions

List Price: \$25.99

Price: \$10.98 prime

You Save: \$15.01 (58%)

Specifications for this item

Table with 2 columns: Specification Name and Value. Includes Brand Name (MILAPEAK), Color (270 pcs 3:1 Black&Red Dual Wall Heat Shrink Tube), Part Number (MP-P004-10-059), Size (14) 270 pcs 3:1 Heat Shrink Tube (5 Sizes,B&R), Specification Met, and UNSPSC Code (43191601).

See more product details

Compare with similar items

In Stock.

Qty: 1

Add to Cart

Buy Now

Secure transaction

Sold by MILAPEAK and Fulfilled by Amazon.

Add gift options

Deliver to Abel - Los Angeles 90001

Subscribe & Save:

5% / 10%

\$10.43

prime

First delivery on Aug 23

Frequently bought together

Product recommendations for frequently bought together items.

Total price: \$39.92

Add all three to Cart



Roll over image to zoom in

12V 55AH Deep Cycle Battery UB12550 for Power Scooter Wheelchair Mobility Emergency UPS System Trolling Motor

Brand: WEIZE
★★★★☆ 141 ratings | 44 answered questions

Price: \$114.99 ✓prime

Get \$100 off instantly: Pay \$14.99 \$114.99 upon approval for the Amazon Prime Rewards Visa Card. No annual fee.

Brand WEIZE
Item Dimensions 9.02 x 9.06 x 5.43 inches
LxWxH
Battery Cell Type Sealed Lead Acid

About this item

- FP12550 is a Sealed Lead Acid Rechargeable Battery; Dimension: 9.02*5.43*9.06 inch. Parcel: 1x Battery (screws included, not included wire harness or mounting).
- Used For Solar Panel Wind Energy Storage, Wheelchair, Mobile Scooter, Trolling Motor, Industrial and Medical Equipment, Electric Vehicles, Golf Carts, Hunting, Lawn and Garden Tools, Portable Tools, Toys and Hobby, Emergency Lighting, Leisure, RV House, Camping, Home Alarm Security and more.
- General Purpose for John Deere Lawn Tractor-Riding Mower 108, Bruno PWC 23002310 U1 Wheelchair, Pride Mobility Jazzy Select 6, MINNKOTA Trolling, ect.
- Power for Trolling Motor, Electric WheelChairs, Pride BATLIQ1018, Pride Mobility Jazzy 600/XL 614/HD, PowerCell PC12500 MK ES40 Powersonic Palmer Pride 600 Jazzy 1105 1107 1115 Jazzy 1100 1104 1120 2000 1170 1400 and more.
- Valve Regulated, Apill-Proof AGM Battery; With a 30 day refund policy.

> See more product details

Compare with similar items

Report incorrect product information.

\$114.99 ✓prime

FREE delivery: **Wednesday, Aug 26**
Order within 22 hrs and 53 mins
[Details](#)

In Stock.

Qty: 1 ▾

Add to Cart

Buy Now

Secure transaction

Ships from and sold by **Xi Run**.

Add a Protection Plan:
 3-Year Protection for \$22.34

Deliver to Abel - Los Angeles 90001

Add to List ▾

Share

Have one to sell?

Sports & Outdoors > Sports & Fitness > Boating & Sailing > Boating > Electrical Equipment > Battery Chargers



Roll over image to zoom in

BMK 12V 5A Smart Battery Charger Portable Battery Maintainer with Detachable Alligator Rings Clips Fast Charging Waterproof Trickle Charger for Car Boat Lawn Mower Marine Sealed Lead Acid Battery

Visit the BMK BLUEMICKEY Store
★★★★★ 1,565 ratings | 201 answered questions

Price: \$35.99 ✓prime & FREE Returns

Save \$2 with coupon. Terms >

Thank you for being a Prime member. Get \$100 off instantly: Pay \$0.00 upon approval for the Amazon Prime Rewards Visa Card. No annual fee.

Available at a lower price from other sellers, potentially without free Prime shipping.

- **【UPGRADED DEFECTIVE BATTERY DETECT/FAST CHARGING CAR BATTERY BOOSTER】** Updated with battery condition diagnose to detect the defective battery before charge. DC Output 13.8V/5A, AC Input 100-240V, 1.5A 60/50Hz; With 5A DC output current, BMK 12V 5A car battery charger is suitable for charging batteries with 15-100Ah. NOTE: To better tender the battery, please make sure the battery capacity is higher than 15Ah, it can also charge over 100Ah batteries, just more charging time.
- **【UPGRADED 72-HOUR SAFETY FEATURES/MULTI SAFETY PROTECTIONS - BATTERY RESCUE & RECOVER】** Updated with 72 hours safety feature to commence anytime the charger is onto protect marginal batteries from over charging. Made of high quality ABS, IP65 Waterproof, multi-protects of Short Circuit/ OV/ OC/ Overload/ Polarity Reverse, featured with Constant Pulse Current Maintenance function to avoid overcharge and discharge; Full-loaded and burn-in test prove its high reliable efficiency, stable performance
- **【4-STAGE SMART CHARGING - FULLY AUTOMATIC BOAT BATTERY CHARGER】** 12V battery charger operated with 4 stages automatic charging process by MCU controller, 25%/50%/75%/100% to indicate quantity of electricity and monitor the whole charging progress. Stop automatically when the battery is fully charged. LED indicator designed to display different charging status of the 12v smart charger
- **【UPGRADED WITH 10A FUSE ONTO RING CONNECTORS & MULTI-**

\$35.99
✓prime & FREE Returns
FREE delivery: Saturday, Aug 22
Details

In Stock.

Qty: 1

Add to Cart

Buy Now

Secure transaction

Sold by BMK BLUEMICKEY and Fulfilled by Amazon.

Add a Protection Plan:
 2-Year Protection for \$2.99
 Add gift options

Deliver to Abel - Los Angeles 90001

Add to List

New & Used (3) from \$33.87 ✓prime FREE Shipping

Share

Have one to sell?



Vilros Raspberry Pi 4 Basic Starter Kit with Fan-Cooled...

★★★★★ 657
\$84.99 ✓prime

Sponsored

Electronics > Computers & Accessories > Computer Components > Single Board Computers



Roll over image to zoom in

Raspberry Pi 4 Model B 2019 Quad Core 64 Bit WiFi Bluetooth (4GB)

Visit the Raspberry Store

★★★★★ 3,770 ratings | 79 answered questions

Was: \$60.47

Price: **\$55.00** ✓prime & FREE Returns

You Save: **\$5.47** (9%)

Get \$100 off instantly. Pay \$0.00 \$55.00 upon approval for the Amazon Prime Rewards Visa Card. No annual fee.

Available at a lower price from other sellers, potentially without free Prime shipping.

Capacity: **4GB**

1GB	2GB	4GB
\$42.98	\$43.50	\$55.00
✓prime	✓prime	✓prime

- Broadcom BCM2711, quad-core Cortex-A72 (ARM v8) 64-bit SoC @ 1.5GHz---4GB LPDDR4-2400 SDRAM
- 2.4 GHz and 5.0 GHz IEEE 802.11b/g/n/ac Wireless LAN, Bluetooth 5.0, double-true Gigabit Ethernet
- 2 x USB 3.0 ports, 2 x USB 2.0 Ports---2 x micro HDMI ports supporting up to 4Kp60 video resolution
- 2-lane MIPI DSI/CSI ports for camera and display---4-pole stereo audio and composite video port---Micro SD card slot for loading operating system and data storage
- Requires 5.1V, 3a power via USB Type C or gpio-poep (power over Ethernet) enabled (requires PoE hat-not included)

New & Used (26) from **\$48.00** ✓prime FREE Shipping

[Report incorrect product information.](#)



CanaKit Raspberry Pi 4 4GB Starter Kit - 4GB RAM
★★★★★ 1,779

\$55.00
✓prime & FREE Returns

FREE delivery: **Saturday, Aug 22**
[Details](#)

In Stock.

Qty: 1

Secure transaction

Sold by **LANDZO** and Fulfilled by Amazon.

Item arrives in packaging that reveals what's inside. To hide it, choose **Ship in Amazon packaging** at checkout.

Add a Protection Plan:

3-Year Protection for **\$7.99**

Add gift options

Deliver to **Abel - Los Angeles 90001**

New & Used (26) from

Black Lives Matter - [Action and Equality](#).... Adafruit is [open](#) and shipping.

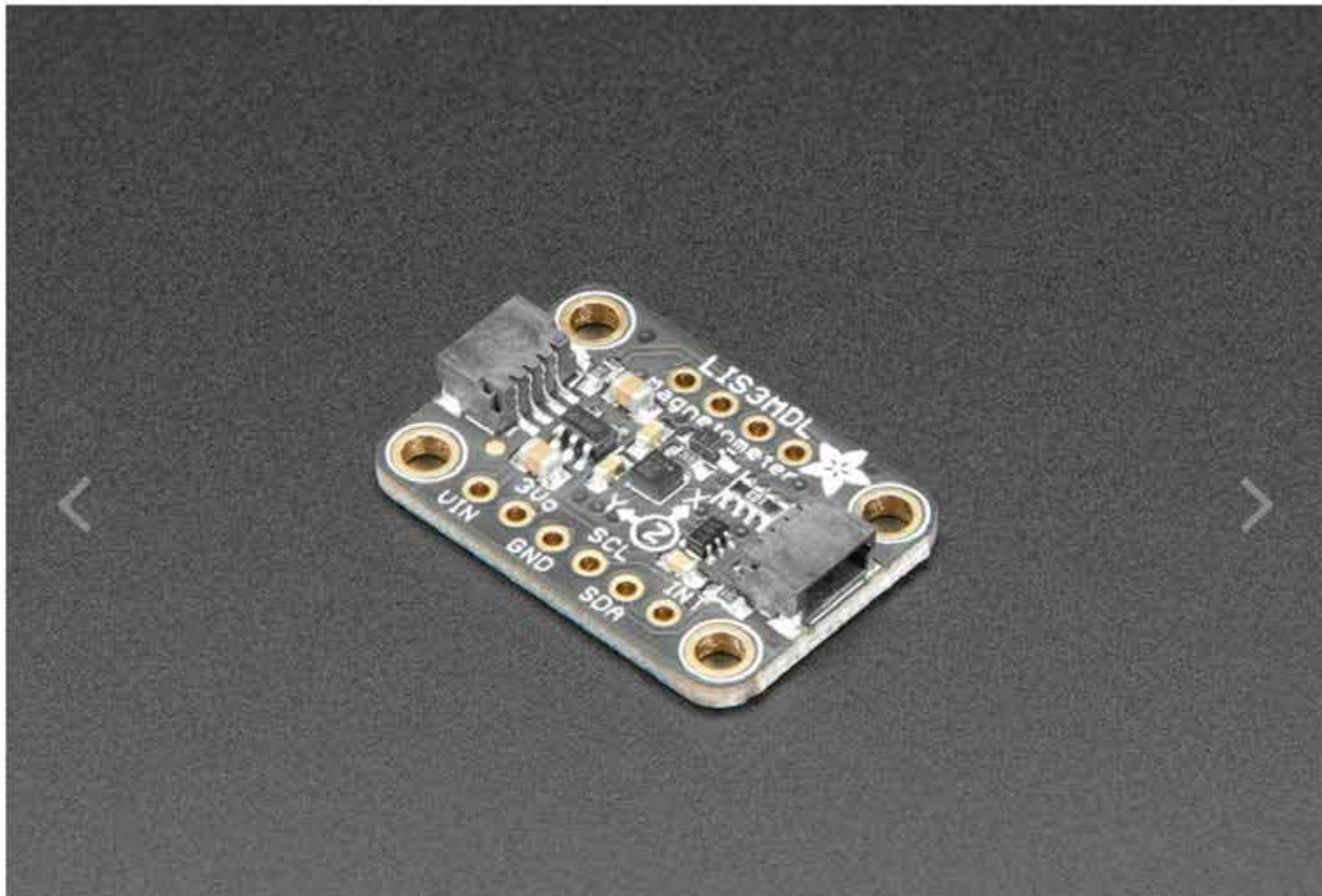
Shop [Learn](#) [Blog](#) [Forums](#) [Videos](#) [Adabox](#) [IO](#)

Sign In



[Products](#) [Gift Ideas](#)

[SENSORS / ACCEL, GYRO, AND MAGNETOMETERS / MAGNETOMETERS / ADAFRUIT TRIPLE-AXIS MAGNETOMETER - LIS3MDL](#)



Adafruit Triple-axis Magnetometer - LIS3MDL - STEMMMA QT / Qwiic

PRODUCT ID: 4479

\$5.95
72 IN STOCK

1 [ADD TO CART](#)

- Also include 1 x [Adafruit LSM6DS33 6-DoF Accel + Gyro IMU](#) (\$5.95)
- Also include 1 x [Adafruit LSM6DSOX 6 DoF Accelerometer and Gyroscope](#) (\$11.95)

QTY	DISCOUNT
1-9	\$5.95
10-99	\$5.36
100+	\$4.76

[BUY ON DIGI-KEY](#)

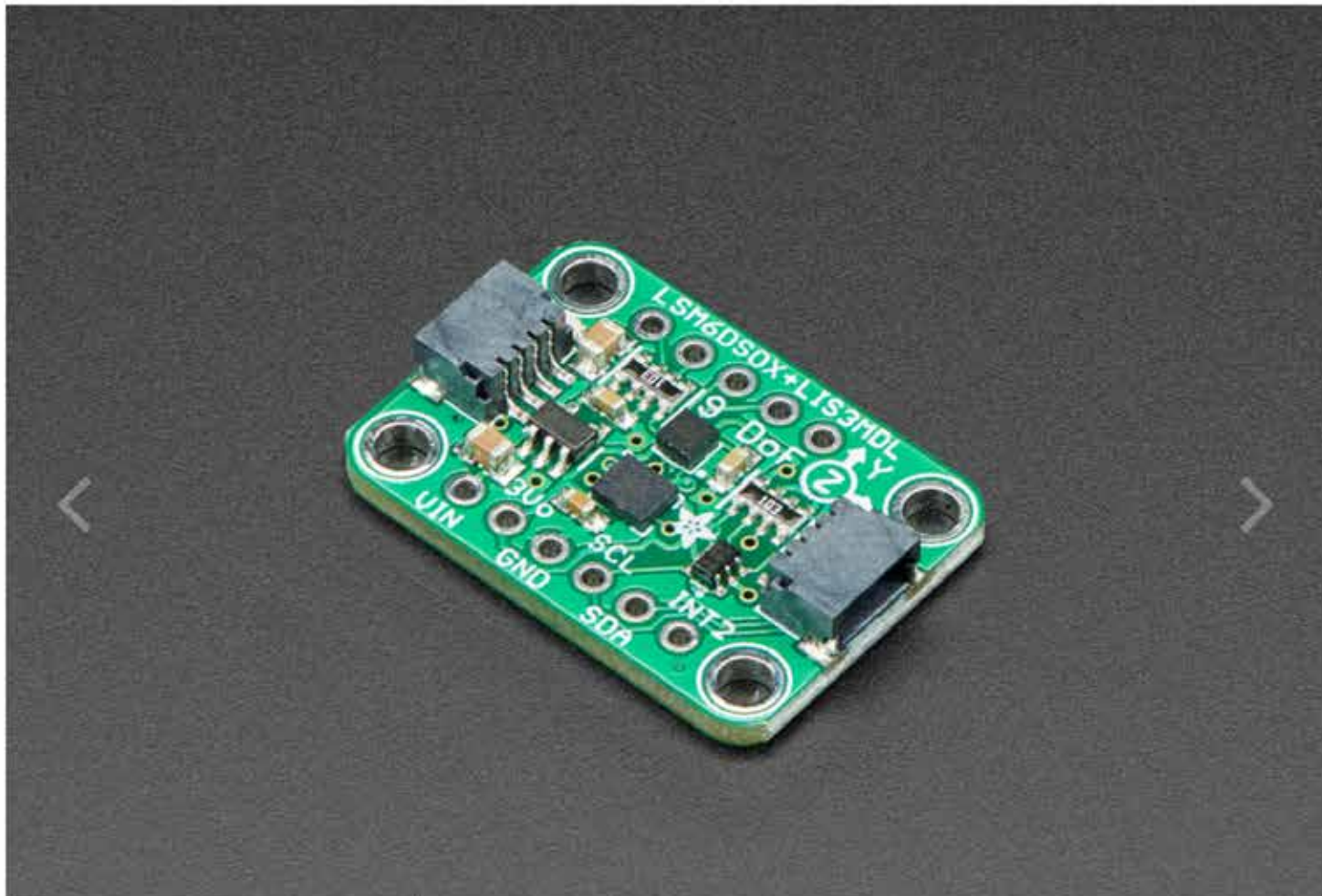
[Why buy on Digi-Key?](#)

[ADD TO WISHLIST](#)

4.8 ★★★★★
Google Customer Reviews



Search bar with magnifying glass icon



Adafruit LSM6DSOX + LIS3MDL - Precision 9 DoF IMU - STEMMA QT / Qwiic

PRODUCT ID: 4517

\$14.95

96 IN STOCK

1 ADD TO CART

- Also include 1 x STEMMA QT / Qwiic JST SH 4-pin to Premium Male Headers Cable (\$0.95)
- Also include 1 x STEMMA QT / Qwiic JST SH 4-pin Cable - 100mm Long (\$0.95)
- Also include 1 x STEMMA QT / Qwiic JST SH 4-pin Cable with Premium Female Sockets (\$0.95)

QTY DISCOUNT

1-9 \$14.95

10-99 \$13.46

100+ \$11.96

BUY ON DIGI-KEY

Why buy a 4.8 ★★★★★ Google Customer Reviews

FOR LARGE ORDERS OR HIGH SHIPPING COSTS PLEASE CONTACT US DIRECTLY [Dismiss](#)



Shopping cart icon, 0 ITEMS, \$0, EMPTY CART

SEARCH FOR PRODUCTS

- HOME INFO T-NUTS CORNER BRACKETS ACCESSORIES EXTRUSIONS SCREWS CHECKOUT CONTACT

Home / 10 Series Hardware / (COMBO-010-A) 10 Series 1/4-20 Economy T-Nut & 1/2" lg screw



(COMBO-010-A) 10 SERIES 1/4-20 ECONOMY T-NUT & 1/2" LG SCREW

Along with TNUTZ, these parts are fully compatible with the following manufacturers of T-Slotted Aluminum Extrusions:

- 80/20 - P/N 3393
T-Slots (Futura Industries) - P/N 651171
McMaster - 47065T139

SKU: COMBO-010-A Category: 10 Series Hardware



Price: \$0.40 \$0.19
QUANTITY: 1
ADD TO CART
SHARE

TESTIMONIALS
Average Rating: 5.0 stars (based on 9 ratings)
Excellent buyer experience!
TNUTZ Tyler

EXTRUSION SPECS
AA 6063-T6 is an aluminium alloy, with magnesium and silicon as the alloying elements.
The standard controlling its composition is

- DESCRIPTION ADDITIONAL INFORMATION REVIEWS (0) PRODUCT INQUIRY

Product Description

Home / 10 Series Brackets and Plates / (CB-010-D) 10 Series 4 Hole Inside Corner Bracket



(CB-010-D) 10 SERIES 4 HOLE INSIDE CORNER BRACKET

These parts are 100% equivalent to the following manufacturers:

80/20 #4115, T-SLOTS #653052, Frame-World #11-2

SKU: CB-010-D Category: 10 Series Brackets and Plates

~~\$4.05~~ \$1.95

*MOUNTING HARDWARE

NO HARDWARE REQUIRED

\$0.00

(4) 1/4-20 X 1/2" BUTTON HEAD SCREWS & (2) DOUBLE ECONOMY T-NUTS



DESCRIPTION / ADDITIONAL INFORMATION / REVIEWS (0)

Product Description

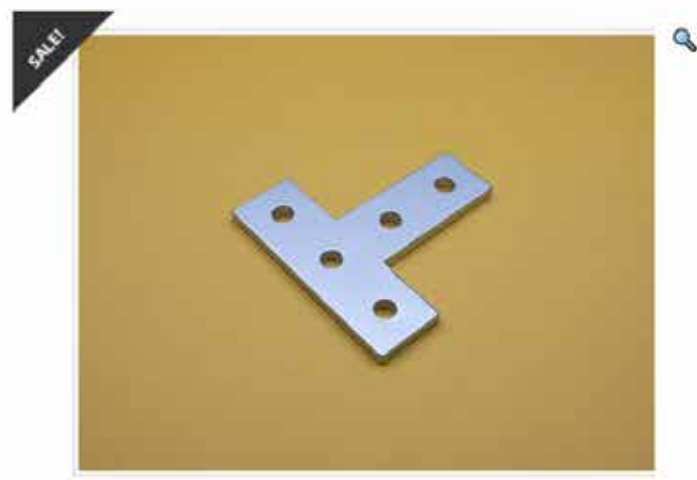
10 Series 4 Hole Inside Corner Bracket, TNUTZ Part #CB-010-D.

These parts are 100% equivalent to the following manufacturers:

80/20 #4115, T-SLOTS #653052, Frame-World #11-2

These brackets will fit in the 10 or 25 Series (1") extrusions. The dimensions are 0.875" x 2" x 2", and have a wall thickness of .188" (3/16"). The holes are Ø0.281", 1" between centers, and each bracket is individually wrapped in thin paper to prevent rubbing during shipping.

Home / 10 Series Brackets and Plates / (JP-010-T) 10 Series 5 Hole "T" Joining Plate



(JP-010-T) 10 SERIES 5 HOLE "T" JOINING PLATE

These plates are 100% equivalent to the following manufacturers:

80/20 #4080

SKU: JP-010-T Category: 10 Series Brackets and Plates

~~\$7.00~~ \$3.50

10 in stock

*MOUNTING HARDWARE

NO HARDWARE REQUIRED

\$0.00

(5) 1/4-20 X 1/2" BUTTON HEAD SCREWS, (1) DOUBLE ECONOMY T-NUT & (1) TRIPLE ECONOMY T-NUT



DESCRIPTION / ADDITIONAL INFORMATION / REVIEWS (0) / PRODUCT INQUIRY

Product Description

10 Series 5 Hole "T" Joining Plate, TNUTZ Part #JP-010-T.

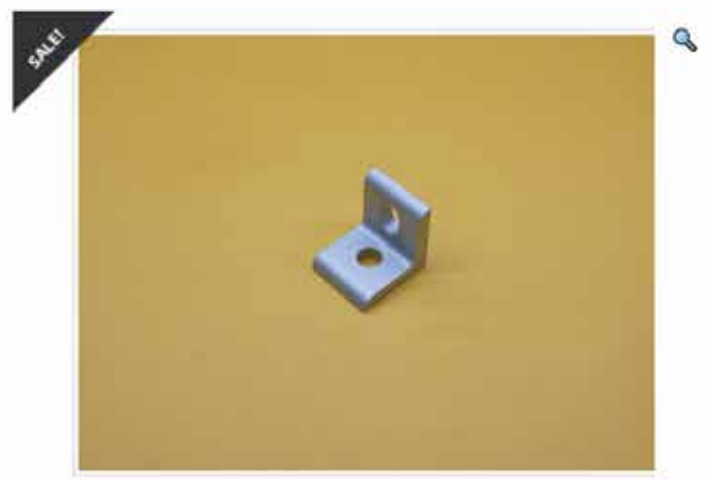
These plates are 100% equivalent to the following manufacturers:

80/20 #4080,

These joining plates will fit in the 10 or 25 Series (1") extrusions. The dimensions are 3" x 3", and a thickness of .188" (3/16"). The holes are 0.281" and 1" between centers.



Home / 10 Series Brackets and Plates / (CBS-010-A) 10 Series 2 Hole Slotted Inside Corner Bracket



(CBS-010-A) 10 SERIES 2 HOLE SLOTTED INSIDE CORNER BRACKET

These parts are 100% equivalent to the following manufacturers:
80/20 #4265, T-SLOTS #653126, Frame-World #11-15

SKU: CBS-010-A Category: 10 Series Brackets and Plates

~~\$3.55~~ \$1.65

*MOUNTING HARDWARE

NO HARDWARE REQUIRED

\$0.00

(2) 1/4-20 X 1/2" BUTTON HEAD SCREWS & (2) ECONOMY T-NUTS



DESCRIPTION / ADDITIONAL INFORMATION / REVIEWS (0)

Product Description

10 Series 2 Hole Slotted Inside Corner Bracket, TNUTZ Part #CBS-010-A.

These parts are 100% equivalent to the following manufacturers:

80/20 #4265, T-SLOTS #653126, Frame-World #11-15

These brackets will fit in the 10 Series (1") extrusions. The dimensions are 7/8" x 1" x 1", and have a wall thickness of .188" (3/16"). The holes are Ø0.281, and the slot is 3/16" long", and each bracket is individually wrapped in paper to prevent rubbing during transport.

Home / 10 Series Brackets and Plates / (JP-010-C) 10 Series 3 Hole Joining Plate



(JP-010-C) 10 SERIES 3 HOLE JOINING PLATE

These plates are 100% equivalent to the following manufacturers:

80/20 #4118, T-SLOTS #653055, Frame-World #11-23

SKU: JP-010-C Category: 10 Series Brackets and Plates

~~\$4.30~~ \$2.15

*MOUNTING HARDWARE

NO HARDWARE REQUIRED

\$0.00

(3) 1/4-20 X 1/2" BUTTON HEAD SCREWS, (1) ECONOMY T-NUT & (1) DOUBLE ECONOMY T-NUT



DESCRIPTION / ADDITIONAL INFORMATION / REVIEWS (0) / PRODUCT INQUIRY

Product Description

10 Series 3 Hole Joining Plate, TNUTZ Part #JP-010-C.

These plates are 100% equivalent to the following manufacturers:

80/20 #4118, T-SLOTS #653055, Frame-World #11-23

These joining plates will fit in the 10 or 25 Series (1") extrusions. The dimensions are 1" x 3", and a thickness of .188" (3/16"). The holes are 0.281", 1" between centers, and each plate is individually wrapped in thin paper to prevent rubbing during shipping.



FOR LARGE ORDERS OR HIGH SHIPPING COSTS PLEASE CONTACT US DIRECTLY [Dismiss](#)



Shopping cart icon, 0 ITEMS, \$0, EMPTY CART

SEARCH FOR PRODUCTS

Your leader in T-Slotted Aluminum Hardware & Components

- HOME INFO T-NUTS CORNER BRACKETS ACCESSORIES EXTRUSIONS SCREWS CHECKOUT CONTACT

Home / 10 Series Brackets and Plates / (JP-010-A) 10 Series Aluminum 2 Hole Joining Plate



(JP-010-A) 10 SERIES ALUMINUM 2 HOLE JOINING PLATE

Click [here](#) for suggested bolt assembly.

These plates are 100% equivalent to the following manufacturers:

80/20 #4107, T-SLOTS #653046, Frame-World #11-38

SKU: JP-010-A Category: 10 Series Brackets and Plates

- DESCRIPTION ADDITIONAL INFORMATION REVIEWS (0) PRODUCT INQUIRY

Product Description

10 Series 2 Hole Joining Plate - #JP-010-A

These plates are 100% equivalent to the following manufacturers:

80/20 #4107, T-SLOTS #653046, Frame-World #11-38

These joining plates will fit in the 10 Series (1") extrusions. The dimensions are 1" x 2", and a thickness of .188" (3/16"). The holes are Ø0.281", 1" between centers, and each plate is individually wrapped in thin paper to prevent rubbing during shipping.

~~\$3.40~~ \$1.40

*MOUNTING HARDWARE

NO HARDWARE REQUIRED

\$0.00

(2) 1/4-20 X 1/2" BUTTON HEAD SCREWS & (2) ECONOMY T-NUTS

